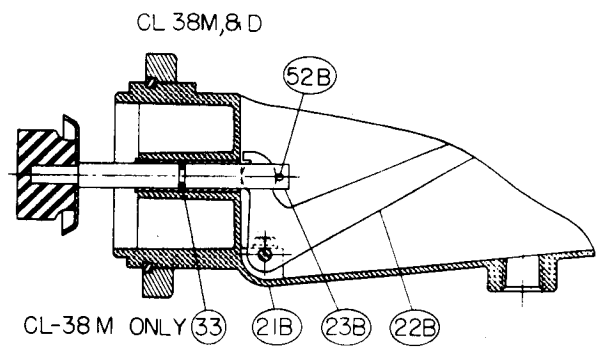
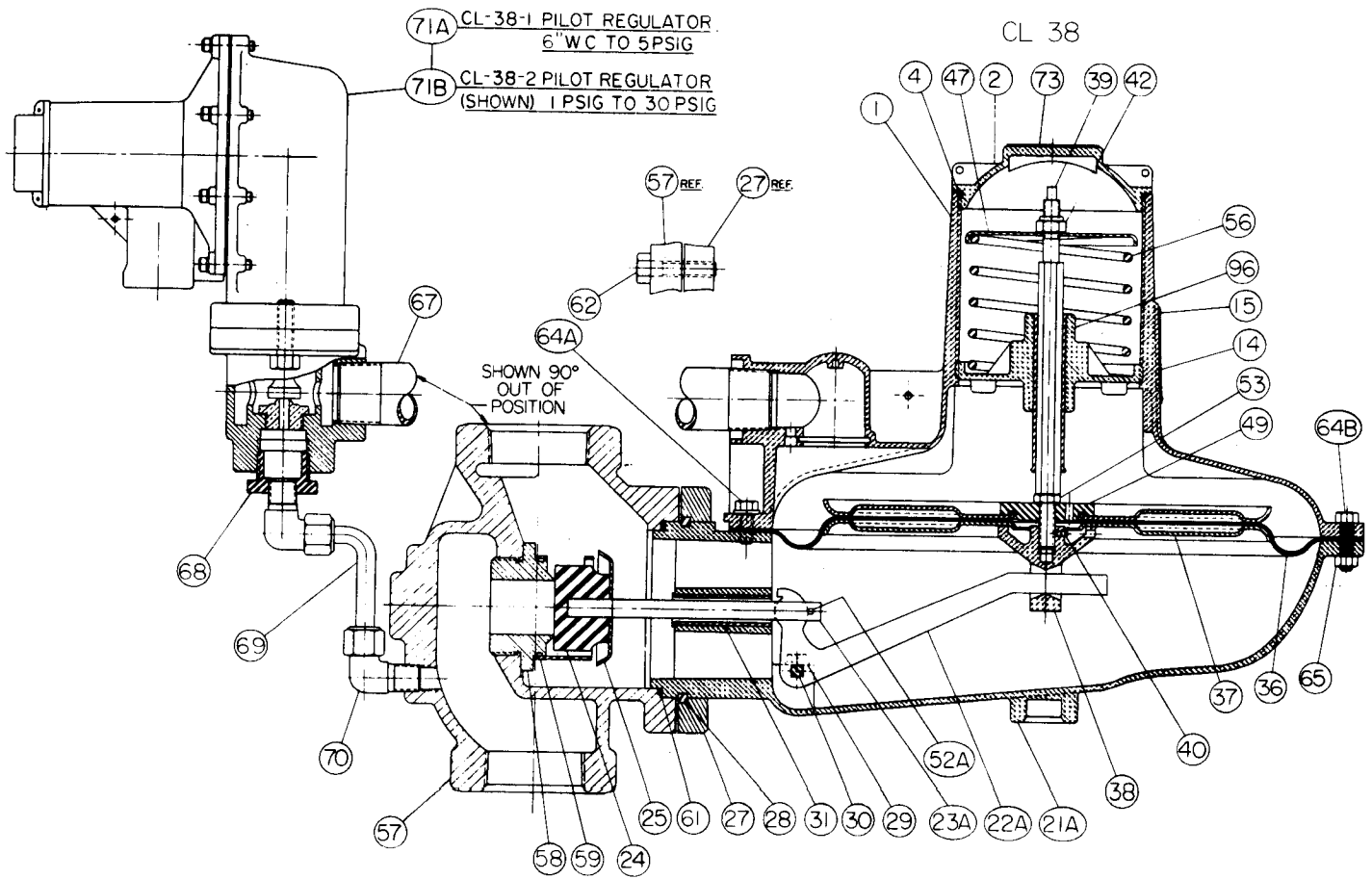


Parts List

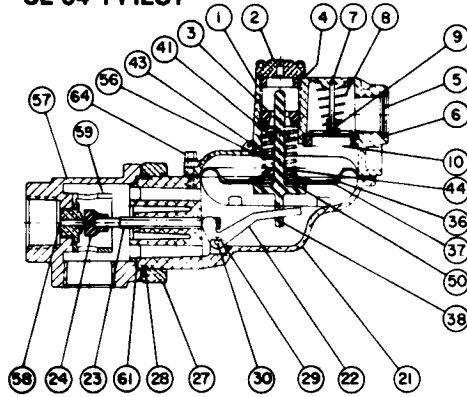
CL-38 Series Constant Loaded Regulators

Models 1 & 2, M1 & M2, D1 & D2
Models 1 IM & 2 IM



ITEM NO.	PART NO.	QUANTITY			DESCRIPTION
		CL38	CL38D	CL38M	
1	753404	1	1	1	Upper Diaphragm Case - 1" Vent Pipe
2	760083	1	1	1	Seal Cap
3	736011	1	1	1	Adjustment Screw Guide Assembly
4	765607	1	1	1	Seal Cap Gasket
14	769249	1	1	1	Regulator Badge
15	755071	2	2	2	Badge Drive Screw
21A	715065	1			Lower Diaphragm Case - 4:1 Ratio - Open Throat
21B	715066		1	1	Lower Diaphragm Case - 3:5:1 Ratio - Closed Throat
22A	761275	1			Valve Linkage Lever - 4:1 Ratio
22B	761271		1	1	Valve Linkage Lever - 3:5:1 Ratio
23A	754191	1			Valve Stem - 3/4" Square
23B	754193		1	1	Valve Stem - 1 1/2" D. w/"O" Ring Groove
24	765211	1	1	1	Valve Seat - Buna "N", 80 Duro
25	761731	1	1	1	Deflector
27	751933	1	1	1	Valve Body Retainer Plate
28	755721	1	1	1	Retainer Plate Snap Ring
29	755223	2	2	2	Valve Linkage Pin Screw
30	754836	1	1	1	Valve Linkage Pin
33	765505			1	Valve Stem "O" Ring
36	766301	1	1	1	Diaphragm
37	761043	2	2	2	Upper Diaphragm Plate
38	756077	1	1	1	Lower Diaphragm Plate
39	754361	1	1	1	Stop Stem
40	755115	1	1	1	Set Screw
42	755671	1	1	1	Stop Stem Locknut
47	761471	1	1	1	Closing Spring Guide
49	761083	1	1	1	Secondary Diaphragm Plate
52A	755007	1	-	-	Valve Stem Slot Pin - 3/32" D. x 3/4" Lg.
52B	755009	-	1	1	Valve Stem Slot Pin - 3/32" D. x 1/2" Lg.
53	755531	1	1	1	Diaphragm Nut - Steel
56		1	1	1	Closing Spring - Specify: Orange Brown Green Black
57	762341 762351 762353 762355				Valve Body - Specify Type & Size: <u>Straight</u> 1 1/2" x 1 1/2" NPT w/1/4" NPT Thru 1 1/2" x 2" NPT w/1/4" NPT Thru 2" x 2" NPT w/1/4" NPT Thru <u>Flanged</u> 2" A.S.A. w/1/4" NPT Thru 3" A.S.A. w/1/4" NPT Thru
58A	750829 750845 750860 750875 750891	1	1	1	Orifice, Brass - Specify Size: <u>Straight</u> 3/4" Dia. 1/2" Dia. 5/8" Dia. 3/4" Dia. 1" Dia. 1 1/4" Dia. 1 3/4" Dia.
58A IM ORIFICE	758419 758401 758416 758404 758407 758410 758413				Cartridge Orifice Assembly IM Models 1" Diameter 5/8" Diameter 3/4" Diameter 3/4" Diameter 1/2" Diameter
59	759031	1			Loading Ring
61	761771	1	1	1	Valve Body Gasket
62	765655	1	1	1	Retainer Plate Screw - Hex Head Steel
62	755391	2	2	2	Case Screw
64	755311	12	12	12	Hex Hd. - 1/4-20 x 1" Lg.
65	755513	10	10	10	Case Screw Nut
67	768143	1	1	1	Nipple, 1" NPT x 2" Lg.
68	768203	1	1	1	Reducing Bushing
69	768521	1	1	1	Control Line - Steel
70	768263	2	2	2	90" Elbow - Male Tube Fitting - 3/8" D" - Tube x 1/4" NPTF - Stl.
71A	700100	1	1	1	Regulator Pilot CL-38-1
71B	700200	1	1	1	Regulator Pilot CL-38-2
73	769401	1	1	1	Warning Sticker
91	765525				Orifice "O" Ring
	799051 799027				Special Tools Spring Adjusting Wrench (Pilot Only) Thin Wall Orifice Socket 2 1/4 Hex
	710056	1	1	1	Sub-Assemblies Upper Diaph. Case, Sub. Assembly
	715030	1	-	-	Lower Diaph. Case, Sub. Assembly
	715031	-	-	1	Lower Diaph. Case, Open Throat, 4:1 Ratio
	715064	-	1	-	Lower Diaph. Case, Closed Throat, 3.5:1 Ratio
	720040	1	1	1	w/"O" Ring Lower Diaph. Case, Closed Throat, 3.5:1 Ratio Diaphragm Assembly

CL-34-1 PILOT



PILOT REGULATOR PARTS LIST

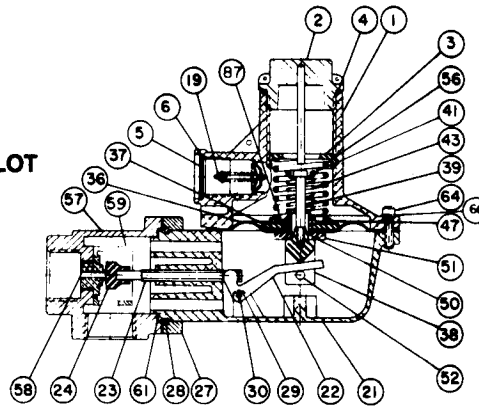
ITEM NO.	PART NO.	QUANTITY CL38-1 Pilot	DESCRIPTION
1	753027	1	Upper Diaphragm Case - 3/4" Vent
2	760053	1	Seal Cap
3	760217	1	Adjustment Screw - Aluminum
4	765771	1	Seal Cap Gasket
5	762935	1	Vent Screen - Wire Mesh
6	755727	1	Vent Screen Retaining Ring
7	754806	1	Vent Screen Disc Pin
8	762601	1	Vent Valve Spring
9	765181	1	Vent Valve Disc
10	765685	1	Vent Valve Seat
21	752011	1	Lower Diaphragm Case
22	761201	1	Valve Linkage Lever
23	754021	1	Valve Stem - Alum.
24	765021	1	Valve Seat - Buna "N" - 75 Duro
27	751913	1	Valve Body Ret. Plate
28	755725	1	Retainer Plate Snap Ring
29	755141	2	Valve Linkage Pin Screw
30	754831	1	Valve Linkage Pin
36	766010	1	Diaphragm
37	761001	1	Upper Diaphragm Plate
38	756021	1	Lower Diaphragm Plate
41	761401	1	Relief Spring Guide
43	762051	1	Relief Spring
44	754905	1	7" W.C. Above Set Stop Stem Guide Bushing
50	765755	1	Relief Valve Seal Gasket
56	762007	1	Adjustment Spring - Specify Green/White
	762013		Blue/White Outlet Pressure
	762117		D. Green Range Depends
	762017		Silver/White on Closing Spring
	762021		Yellow/White See Sales Catalog
	762027		Red/White
	762029		White
57	750044	1	90° Valve Body 3/4" x 1"
58	757255	1	Orifice - 1/8" Dia. - Brass
59	761753	1	Loading Ring
61	765751	1	Valve Body Gasket - Flat
62	755371	2	Retainer Plate Screw - Hex Hd. Steel 3/16"-18 x 1 1/4 Lg., Cad. Plate
64	755221	8	Case Screw - Hex Washer Head Steel #8-32 x 1 3/8 Lg., Cad. Plate

TORQUE SPECIFICATIONS

Retainer Plate Screws
 Orifice
 Orifice Cartridge (IM)
 Margin Screws (Item 64A)
 Margin Screws (Item 64B)

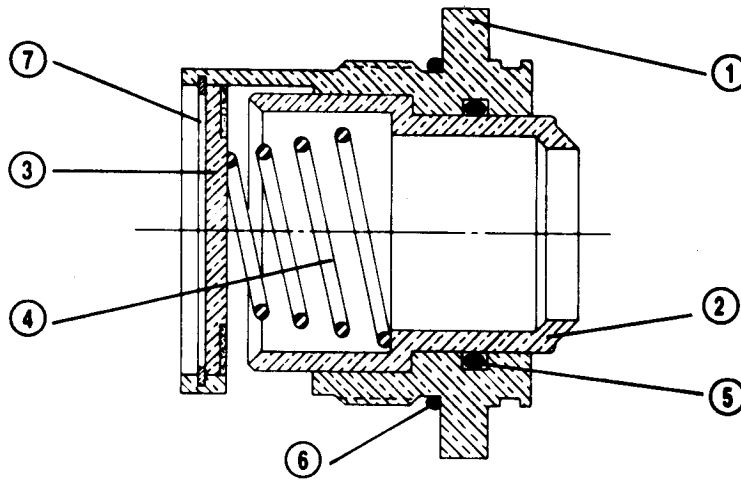
100 in. lbs.
 600 in. lbs.
 300 in. lbs.
 30 in. lbs.
 50 in. lbs.

CL-34-2 PILOT



ITEM NO.	PART NO.	QUANTITY CL38-2 Pilot	DESCRIPTION
1	753044	1	Upper Diaphragm Case - ¼" Vent
2	730003	1	Seal Cap Assembly
3	760201	1	Adjustment Screw
4	765603	1	Seal Cap Gasket
5	762905	1	Vent Screen - Spiral
6	755727	1	Vent Screen Retaining Ring
19	730101	1	Vent Valve Assembly
21	752055	1	Lower Diaphragm Case
22	761201	1	Valve Linkage Lever
23	754021	1	Valve Stem
24	765021	1	Valve Seat - Buna "N" - 75 Duro
27	751955	1	Valve Body Ret. Plate
28	755725	1	Retainer Plate Snap Ring
29	755141	2	Valve Linkage Pin Screw
30	754831	1	Valve Linkage Pin
36	766031	1	Diaphragm
37	761011	1	Upper Diaphragm Plate
38	756001	1	Lower Diaphragm Plate
39	755191	1	Stop Stem - Steel
41	761411	1	Relief Spring Guide
43	762081	1	Relief Spring - Brown 1.5 PSIG
47	761421	1	Adjustment Spring Guide
50	765711	1	Relief Valve Seal Gasket
51	756005	1	Diaphragm Plate Screw
52	755001	1	Rollpin
56		1	Adjustment Spring - Specify
	762401		Brown Outlet Pressure
	762403		Green Range Depends
	762405		Black on Closing Spring.
	762407		Blue See Sales Catalog.
	762409		Silver
57	750044	1	90° Valve Body ¼" x 1"
58	757255	1	Orifice - ¼" Dia. - Brass
59	761753	1	Loading Ring
61	765753	1	Valve Body Gasket
62	755371	2	Retainer Plate Screw Hex Hd. Steel ¾-18 x 1½ Lg. Cad. Plate
64	755175	8	Case Screw - Soc. Hd. #10-24 x ¾ Lg. Steel Cad. Plate
66	755855	8	Lock Washer
87	755821	1	Washer, Anti-Friction

Orifice Cartridge Assembly



759041 3/8" & 759045 1/2" CARTRIDGE ORIFICE COMPONENTS SUB ASSEMBLY Are Interchangeable with Each Other

ITEM	DESCRIPTION	PART NUMBER
1	Stationary Orifice	758307
2	3/8" Sliding Orifice	758357
2	1/2" Sliding Orifice	758351
3	Orifice Plate	759025
4	Cut-Off Spring (Red)	762683
5	"O" Ring	765531
6	"O" Ring	765525
7	Retaining Ring	755737

759035 5/8" & 759038 3/4" CARTRIDGE ORIFICE COMPONENTS SUB ASSEMBLY Are Interchangeable with Each Other

ITEM	DESCRIPTION	PART NUMBER
1	Stationary Orifice	758304
2	5/8" Sliding Orifice	758327
2	3/4" Sliding Orifice	758321
3	Orifice Plate	759023
4	Cut-Off Spring (Blue)	762681
5	"O" Ring	765533
6	"O" Ring	765525
7	Retaining Ring	755737

759031 1" CARTRIDGE ORIFICE COMPONENTS SUB ASSEMBLY Not Interchangeable with Other Sizes

ITEM	DESCRIPTION	PART NUMBER
1	Stationary Orifice	758301
2	1" Sliding Orifice	758311
3	Orifice Plate	759023
4	Cut-Off Spring (Black)	762685
5	"O" Ring	765523
6	"O" Ring	765525
7	Retaining Ring	755737