

Parts List

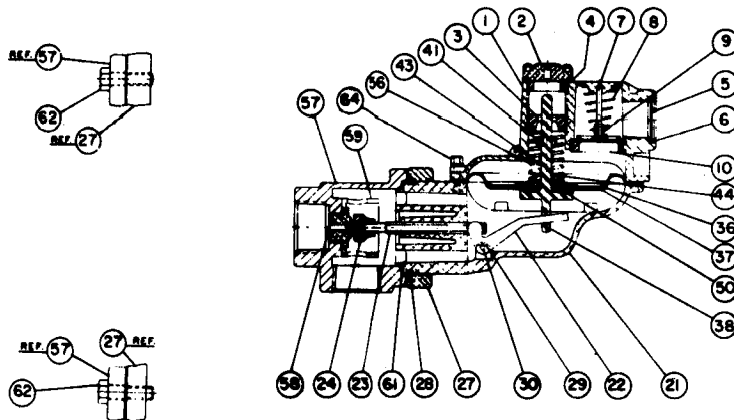
CL-34 Series Constant Loaded Regulators

Models 1 & 2, M1 & M2, D1 & D2
Models 1 IM & 2 IM

MAIN REGULATOR PARTS LIST

ITEM NO.	PART NO.	QUANTITY			DESCRIPTION
		CL34	CL34D	CL34M	
1	753404	1	1	1	Upper Diaphragm Case - 1" Vent Pipe
2	760083	1	1	1	Seal Cap
3	736011	1	1	1	Adjustment Screw Guide Assembly
4	765607	1	1	1	Seal Cap Gasket
14	769249	1	1	1	Regulator Badge
15	755071	2	2	2	Badge Drive Screw
21A	715050	1			Lower Diaphragm Case - 4:1 Ratio - Open Throat
21B	715053		1	1	Lower Diaphragm Case - 3:5:1 Ratio - Closed Throat
22A	761275	1			Valve Linkage Lever - 4:1 Ratio
22B	761271		1	1	Valve Linkage Lever - 3:5:1 Ratio
23A	754151	1			Valve Stem - 3/8" Square
23B	754154		1	1	Valve Stem - 1/2" D. w/O" Ring Groove
24	765203	1	1	1	Valve Seat-Buna "N", 85 Duro
25	761723	1	1	1	Deflector
27	751913	1	1	1	Valve Body Retainer Plate
28	755725	1	1	1	Retainer Plate Snap Ring
29	755223	2	2	2	Valve Linkage Pin Screw
30	754836	1	1	1	Valve Linkage Pin
31	754211	1	1	1	Valve Stem Bushing
33	765505			1	Valve Stem "O" Ring
36	766301	1	1	1	Diaphragm
37	761043	2	2	2	Upper Diaphragm Plate
38	756077	1	1	1	Lower Diaphragm Plate
39	754361	1	1	1	Stop Stem
40	755115	1	1	1	Set Screw
42	755671	1	1	1	Stop Stem Locknut
47	761471	1	1	1	Closing Spring Guide
49	761083	1	1	1	Secondary Diaphragm Plate
52A	755007	1	-	-	Valve Stem Slot Pin - 3/8" D. x 3/4" Lg.
52B	755009	-	1	1	Valve Stem Slot Pin - 3/8" D. x 1/2" Lg.
53	755531	1	1	1	Diaphragm Nut - Steel
56		1	1	1	Closing Spring - Specify: Orange Brown Green Black
	762341				
	762351				
	762353				
	762355				
57		1	1	1	Valve Body - Specify Type & Size: <u>Straight</u> 1 1/4" x 1 1/4" NPT With 1/4" NPT Thru 1 1/4" x 1 1/2" NPT With 1/4" NPT Thru 1 1/4" x 2" NPT With 1/4" NPT Thru 1 1/2" x 1 1/2" NPT With 1/4" NPT Thru 1 1/2" x 2" NPT With 1/4" NPT Thru 2 x 2 NPT With 1/4" NPT Thru 2" A.S.A. w/1/4" NPT Thru 3" A.S.A. w/1/4" NPT Thru
	750610				
	750633				
	750660				
	750683				
	750710				
	750733				
	750760				
	750810				
	750783	1	1	1	Valve Body - Specify Type & Size: 2" ASA Short Fig. w/1/4" NPT Thru
58A		1	1	1	Orifice, Brass - Specify Size: <u>Straight</u> 1/2" Dia. 3/4" Dia. 1/2" Dia. 3/4" Dia. 1/2" Dia. 3/4" Dia. <u>Tapered</u> 1/2" x 1" Dia.
	758101				
	758104				
	758107				
	758110				
	758113				
	758117				
	758169				
59	761761	1	1	1	Loading Ring
61	765651	1	1	1	Valve Body Gasket
62	755381	2	2	2	Retainer Plate Screw - Hex Head Steel - Cad. Plate 1/8"-18 x 1 1/4" Lg.
64	755311	12	12	12	Case Screw - Hex Head - Cad. Plate Steel 1/4"-20 x 1" Lg.
65	755513	10	10	10	Case Screw Nut
67	768143	1	1	1	Nipple, 1" NPT x 2" Lg.
68	768203	1	1	1	Reducing Bushing
69	768511	1	1	1	Control Line - Steel
70	768263	2	2	2	90° Elbow - Male Tube Fitting - 3/4" D"-Tube x 1/4" NPTF - St1
71A	700100	1	1	1	Regulator Pilot CL-34-1 specify spring
71B	700200	1	1	1	Regulator Pilot CL-34-2 and position
73	769401	1	1	1	Warning Sticker
Special Tools					
	799081				Loading Ring Positioning Tool
	799021				Thin Wall Orifice Socket
	799051				Spring Adjustment Wrench (Pilot Only)

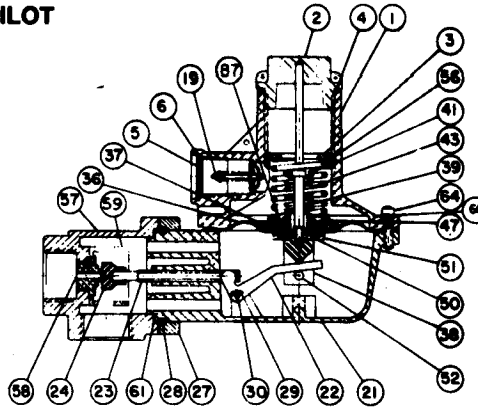
CL-34-1 PILOT



PILOT REGULATOR PARTS LIST

ITEM NO.	PART NO.	QUANTITY CL34-1 Pilot	DESCRIPTION
1	753027	1	Upper Diaphragm Case - 3/4" Vent
2	760053	1	Seal Cap
3	760217	1	Adjustment Screw - Aluminum
4	765771	1	Seal Cap Gasket
5	762935	1	Vent Screen - Wire Mesh
6	755727	1	Vent Screen Retaining Ring
7	754806	1	Vent Screen Disc Pin
8	762601	1	Vent Valve Spring
9	765181	1	Vent Valve Disc -
10	765685	1	Vent Valve Seat
21	752014	1	Lower Diaphragm Case
22	761201	1	Valve Linkage Lever
23	754021	1	Valve Stem - Alum.
24	765021	1	Valve Seat - Buna "N" - 75 Duro
27	751913	1	Valve Body Ret. Plate
28	755725	1	Retainer Plate Snap Ring
29	765141	2	Valve Linkage Pin Screw
30	764831	1	Valve Linkage Pin
38	766010	1	Diaphragm
37	761001	1	Upper Diaphragm Plate
38	756021	1	Lower Diaphragm Plate
41	761401	1	Relief Spring Guide
43	762051	1	Relief Spring
44	754906	1	7" W.C. Above Set
50	765755	1	Stop Stem Guide Bushing
56	762007	1	Relief Valve Seal Gasket
	762013		Adjustment Spring - Specify
	762117		Green/White
	762017		Blue/White Outlet Pressure
	762021		D. Green Range Depends
	762027		Silver/White on Closing Spring
	762029		Yellow/White See Sales Catalog
			Red/White
			White
57	750044	1	90° Valve Body 3/4" x 1"
58	757255	1	Orifice - 1/8" Dia. - Brass
59	761753	1	Loading Ring
61	765751	1	Valve Body Gasket - Flat
62	765371	2	Retainer Plate Screw - Hex. Hd. Steel
64	755221	8	1/8"-18 x 1 1/4" Lg., Cad. Plate
			Case Screw - Hex Washer Head Steel
			#8-32 x 1 1/8" Lg., Cad. Plate

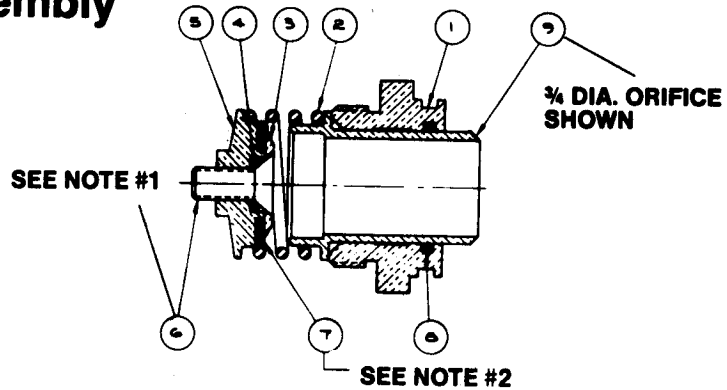
CL-34-2 PILOT



PILOT REGULATOR PARTS LIST

ITEM NO.	PART NO.	QUANTITY CL34-2 Pilot	DESCRIPTION
1	753044	1	Upper Diaphragm Case - ¼" Vent
2	730003	1	Seal Cap Assembly
3	760201	1	Adjustment Screw
4	765603	1	Seal Cap Gasket
5	762905	1	Vent Screen - Spiral
6	755727	1	Vent Screen Retaining Ring
19	730101	1	Vent Valve Assembly
21	7E2055	1	Lower Diaphragm Case
22	761201	1	Valve Linkage Lever
23	754021	1	Valve Stem
24	765021	1	Valve Seat - Buna "N" - 75 Duro
27	751955	1	Valve Body Ret. Plate
28	755725	1	Retainer Plate Snap Ring
29	755141	2	Valve Linkage Pin Screw
30	754831	1	Valve Linkage Pin
36	766031	1	Diaphragm
37	761011	1	Upper Diaphragm Plate
38	756001	1	Lower Diaphragm Plate
39	755191	1	Stop Stem - Steel
41	761411	1	Relief Spring Guide
43	762081	1	Relief Spring - Brown 1.5 PSIG
47	761421	1	Adjustment Spring Guide
50	765711	1	Relief Valve Seal Gasket
51	756005	1	Diaphragm Plate Screw
52	755001	1	Rollpin
56	762401	1	Adjustment Spring - Specify
	762403		Brown Outlet Pressure
	762405		Green Range Depends
	762407		Black on Closing Spring.
	762409		Blue See Sales Catalog.
	762409		Silver
57	750044	1	90° Valve Body ¼" x 1"
58	757255	1	Orifice - ¼" Dia. - Brass
59	761753	1	Loading Ring
61	765753	1	Valve Body Gasket
62	755371	2	Retainer Plate Screw Hex Hd. Steel
			¼"-18 x 1½" Lg. Cad. Plate
64	755175	8	Case Screw - Soc. Hd.
			#10-24 x ¼" Lg. Steel Cad. Plate
66	755855	8	Lock Washer
87	755821	1	Washer, Anti-Friction

IM Orifice Assembly



COMPLETE
ASSY. NO.

NOTE:

1. APPLY "LOCTITE" (SCREW-LOCK) TO END THREADS OF ITEM #6 BEFORE ASSEMBLING IN VALVE BODY.
2. CEMENT ITEM #7 TO ITEM #5 BEFORE ASSEMBLING IN VALVE BODY.

759127	759125	759123	759121	ITEM	DESCRIPTION	PART NO.
1				9	1/4" Dia. Orifice - Straight	758231
	1			9	1/4" Dia. Orifice - Stepped	758241
		1		9	1/2" Dia. Orifice - Stepped	758238
			1	9	3/8" Dia. Orifice - Stepped	758235
1	1	1	1	8	"O" Ring	765501
1	1	1	1	7	Monitor Seat	765741
1	1	1	1	6	Soc. Fl. Hd. Screw	755131
1	1	1	1	5	Anchor	756103
1	1	1	1	4	"O" Ring	765509
1	1	1	1	3	Anchor Plate	754511
1	1	1	1	2	Cut-off Spring	762311
1	1	1	1	1	Stationary Orifice	758221
QUANTITY	ITEM			DESCRIPTION	PART NO.	

All of the above parts are interchangeable.