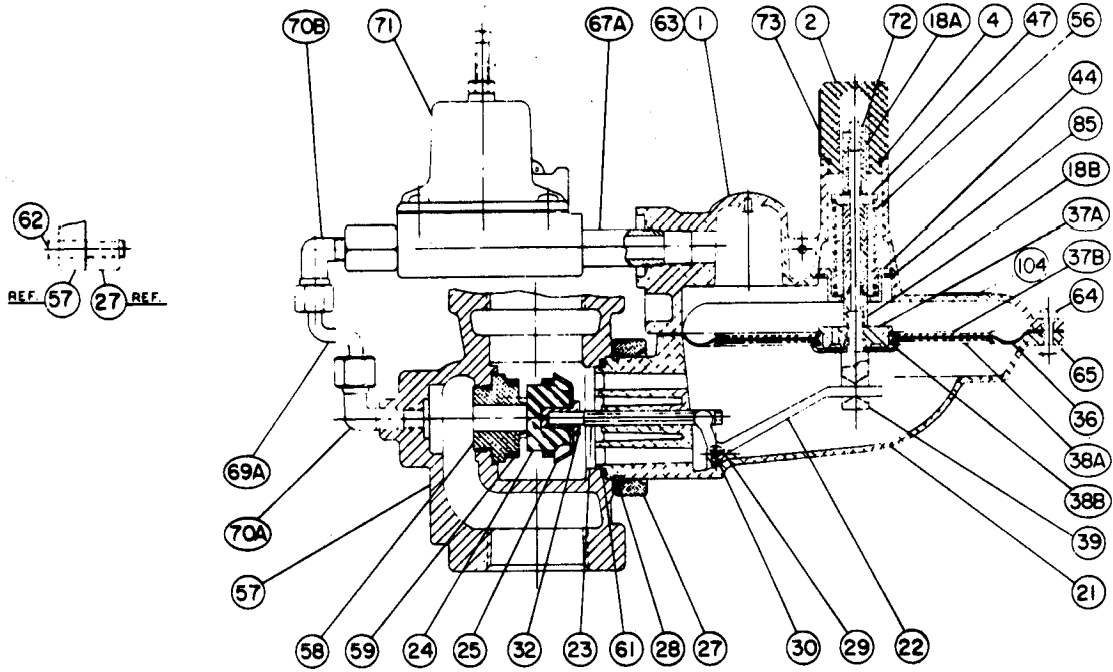


Parts List

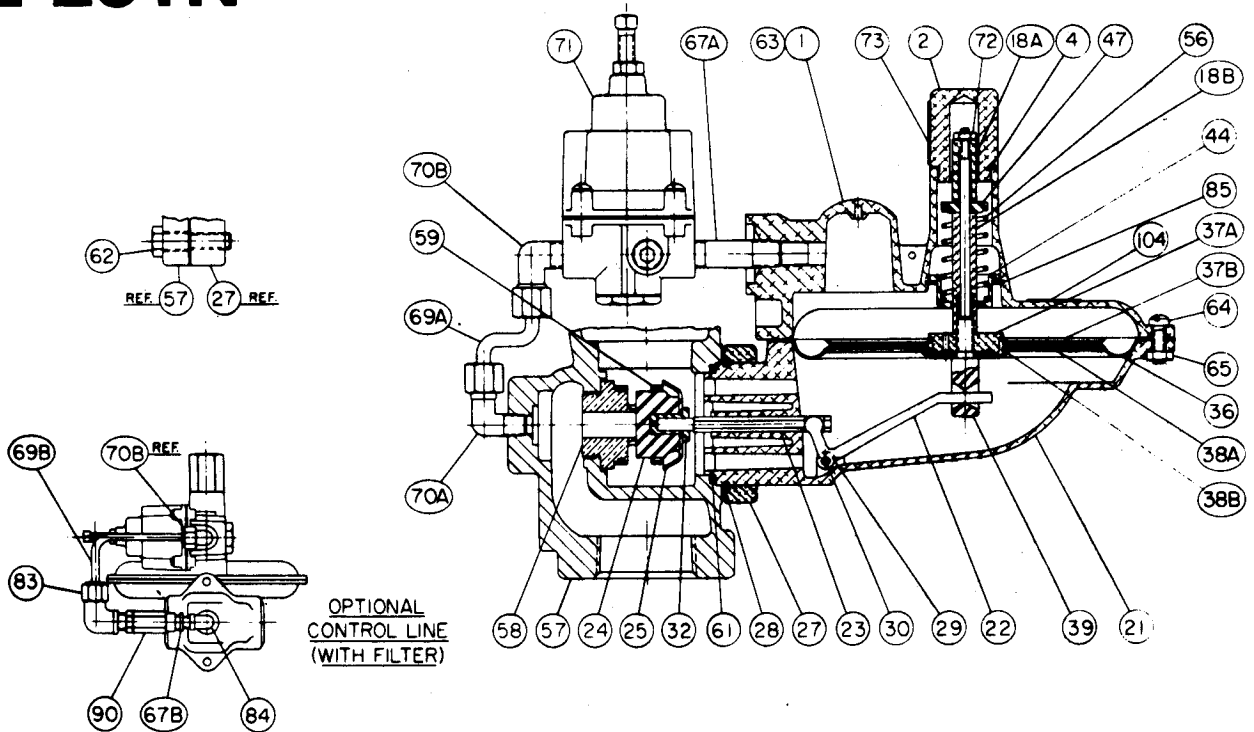
**CL-31 & 231 Series  
Constant Loaded  
Regulators**

Models N & R

# CL-231R



# CL-231N



# CL-231

ITEM NO.	PART NO.	QUANTITY		DESCRIPTION
		N	R	
1	753199		1	Upper Diaphragm Case, Vent 1/4" Pipe
	753194	1	1	Upper Diaphragm Case, Vent 1/4" Pipe
2		1	1	Seal Cap - Specify
	760001			With Seal Wire Hole
	760003			No Seal Wire Hole
4	765503	1	1	Seal Cap Gasket
18A	754721	1	1	Stop Stem Spacer - Upper
18B	754725	1	1	Stop Stem Spacer - Lower
21	752124	1	1	Lower Diaphragm Case - 4/1 Ratio
22	761231	1	1	Valve Linkage Lever - 4/1 Ratio
23	754021	1	1	Valve Stem
24	765201	1	1	Valve Seat - Buna N
25	761721	1	1	Deflector
27		1	1	Valve Body Retainer Plate -
	751913			Aluminum
28	755725	1	1	Retainer Plate Snap Ring
29	755141	2	2	Valve Linkage Pin Screw
30	754831	1	1	Valve Linkage Pin
32	754085	1	1	Valve Stem Adapter
36	766121	1	1	Diaphragm
37A	761031	1	1	Upper Diaphragm Plate
37B	761025	1	1	Upper Diaphragm Plate
38A	761025	1	1	Lower Diaphragm Plate
38B	756091	1	1	Lower Diaphragm Plate
39	754331	1	1	Stop Stem
44	754901	1	1	Stop Stem Guide Bushing
47	761495	1	1	Closing Spring Guide
56	762119	1	1	Closing Spring - Light Green
57		1	1	Valve Body, Straight - Specify Type & Size
	750613			1 1/4" x 1 1/4" NPT with 1/8" NPT
	750636			1 1/4" x 1 1/2" NPT with 1/8" NPT
	750663			1 1/4" x 2" NPT with 1/8" NPT
	750690			1 1/2" x 1 1/2" NPT with 1/8" NPT
	750713			1 1/2" x 2" NPT with 1/8" NPT
	750741			2" x 2" NPT with 1/8" NPT
	750763			2" ASA Flanged/125 Lb. with 1/8" NPT
	750813			3" ASA Flanged/125 Lb. with 1/8" NPT
	750786			2" ASA Short Flanged/125 Lb. with 1/8" NPT

### Torque Specifications

Margin Screws	27- 30 in. lbs.
Retainer Plate Screws	85-115 in. lbs.
Orifice	450-500 in. lbs.

ITEM NO.	PART NO.	QUANTITY		DESCRIPTION
		N	R	
58	758101	1	1	Orifice Brass – Specify Size 1/4" Dia. 3/8" Dia. 1/2" Dia.
	758104			
	758107			
59	761761	1	1	Loading Ring
61	765605	1	1	Valve Body Gasket
62	755381	2	2	Retainer Plate Screw – Hex Head 5/16"-18 x 1 1/4" Lg.
63	769205	1	1	Curved Regulator Plate
64	755251	8	8	Case Screw – Filister Head #12-24 x 1 1/8" Lg. - Steel
65	755661	8	8	Case Screw Nut (Square) - Steel
67A	768133	1	1	Nipple – 3/8" NPT x 2"
	768123			
67B	768101	1	1	Pipe Nipple, Male – 1/8" x 1/4" NPT - Steel
69A	768501			Control Line, 1/4" - Steel
69B	768541	1	1	Control Line, 1/4" D Tube - Steel
70A	768251	1	1	90° Male Elbow – 1/4" Tube x 1/8" NPTF - Steel
70B	768257	1	1	90° Male Elbow – 1/4" Tube x 1/4" NPTF - Steel "Optional" Control Line with Filter, Assy. (Eliminates Items 69A & 70A)
71	700320		1	Regulator Pilot – R type
	700321	1		Regulator Pilot N type
				Pilot Adjustment Springs – Specify (R type only)
	762631			Orange 1 PSIG Outlet Press.
	762633			Brown 2 PSIG Outlet Press.
	762635			Green 5 PSIG Outlet Press.
	762637			Black 10 PSIG Outlet Press.
762639			Blue 15-20 PSIG Outlet Press.	
72	755621	1	1	Stop-Stem Nut (Hex), #10-24 – Cad. Pl. St.
73	769401	1	1	Warning Sticker
83	768273	1	1	90° Female Elbow – 1/4" Tube x 1/4" NPT - Steel
84	768291	1	1	90° Street Elbow – 1/8" NPT - Steel
85	755731	1	1	Stem Guide Bushing Ret. Ring
90	768481	1	1	Control Line Filter
				<b>Special Tools</b>
	799021			Orifice Socket – Thin Wall
	799081			Loading Ring Positioning Tool

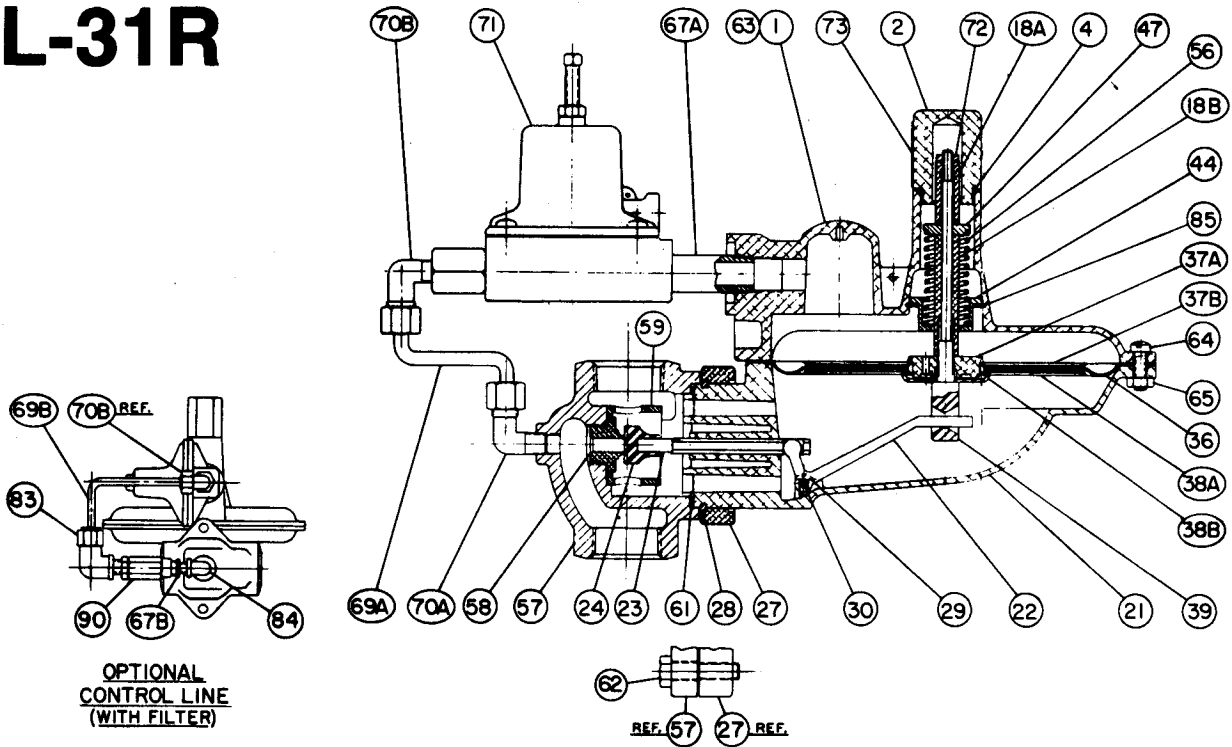
# CL-31

ITEM NO.	PART NO.	QUANTITY		DESCRIPTION
		N	R	
1	753194	1		Upper Diaphragm Case, Vent 1/4" Pipe
2	753199	1	1	Upper Diaphragm Case, Vent 3/8" Pipe
	760001	1	1	Seal Cap - Specify With Seal Wire Hole
4	760003			No Seal Wire Hole
	765503	1	1	Seal Cap Gasket
18A	754721	1	1	Stop Stem Spacer - Upper
18B	754725	1	1	Stop Stem Spacer - Lower
21	752124	1	1	Lower Diaphragm Case - 4/1 Ratio
22	761231	1	1	Valve Linkage Lever - 4/1 Ratio
23	754021	1	1	Valve Stem
24	765021	1	1	Valve Seat - Buna N
27		1	1	Valve Body Retainer Plate - Aluminum
28	751913			
	755725	1	1	Retainer Plate Snap Ring
29	755141	2	2	Valve Linkage Pin Screw
30	754831	1	1	Valve Linkage Pin
36	766121	1	1	Diaphragm
37A	761031	1	1	Upper Diaphragm Plate
37B	761025	1	1	Upper Diaphragm Plate
38A	761025	1	1	Lower Diaphragm Plate
38B	756091	1	1	Lower Diaphragm Plate
39	754331	1	1	Stop Stem
44	754901	1	1	Stop Stem Guide Bushing
47	761495	1	1	Closing Spring Guide
56	762119	1	1	Closing Spring - Light Green
57		1	1	Valve Body, Straight - Specify Type & Size
	750060			3/4" x 3/4" NPT w/1/8" NPT
	750069			3/4" x 1" NPT w/1/8" NPT
	750078			1" x 1" NPT w/1/8" NPT
	750110			3/4" x 1 1/4" NPT w/1/8" NPT
	750119			1" x 1 1/4" NPT w/1/8" NPT
	750134			1 1/4" x 1 1/4" NPT w/1/8" NPT
58		1	1	Orifice, Brass - Specify Size
	757255			1/8" Dia.
	757259			3/16" Dia.
	757263			1/4" Dia.
	757271			3/8" Dia.
59	761753	1	1	Loading Ring
61	765753	1	1	Valve Body Gasket
62	755381	2	2	Retainer Plate Screw - Hex Head 5/16"-18 x 1 1/4" Lg.
				Curved Regulator Plate
63	769205	1	1	Case Screw - Filister Head
64	755251	8	8	#12-24 x 1 1/8" Lg. - Steel
				Case Screw Nut (Square) - Steel
65	755661	8	8	Nipple - 3/8" NPT x 2"
67A	768133	1	1	Nipple - 1/4" NPT x 2" Lg.
	768123	1	1	Pipe Nipple, Male - 1/8" x 1/4" NPT - Steel
67B	768101	1	1	
	768502	1	1	
69A	768505	1	1	Control Line, 1/4" - Steel
69B	768541	1	1	Control Line, 1/4" D Tube - Steel
70A	768251	1	1	90° Male Elbow - 1/4" Tube x 1/8" NPTF - Steel
70B	768257			90° Male Elbow - 1/4" Tube x 1/4" NPTF - Steel
				"Optional" Control Line with Filter, Assy. (Eliminates Items 69A & 70A)
71	700320	1		Regulator Pilot - Complete Assembly
	700321			Regulator Pilot w/1-20 psi spring
				Pilot Adjustment Springs - Specify:
				Orange 1 PSIG Outlet Press.
				Brown 2 PSIG Outlet Press.
				Green 5 PSIG Outlet Press.
				Black 10 PSIG Outlet Press.
				Blue 15-20 PSIG Outlet Press.
72	755621	1	1	Stop-Stem Nut (Hex), #10-24 - Cad. Pl. St.
73	769401	1	1	Warning Sticker
83	768273	1	1	90° Female Elbow - 1/4" Tube x 1/4" NPT - Steel
84	768291	1	1	90° Street Elbow - 1/8" NPT - Steel
85	755731	1	1	Stem Guide Bushing Ret. Ring
90	768481			Control Line Filter

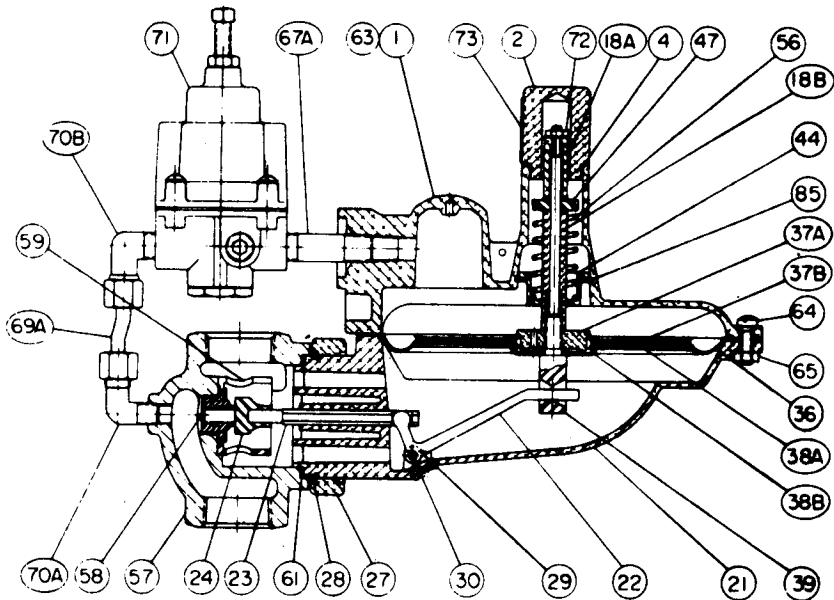
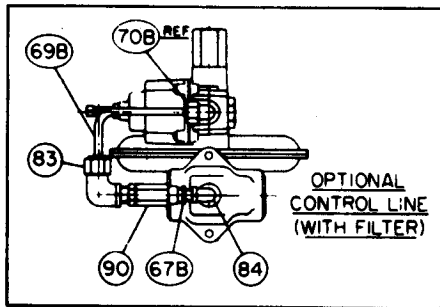
### Torque Specifications

Margin Screws	27- 30 in. lbs.
Retainer Plate Screws	85-115 in. lbs.
Orifice	450-500 in. lbs.

# CL-31R



# CL-31N



## WARRANTY

Schlumberger Industries, Highway 127 North, Owenton, Kentucky 40369, warrants this gas product against defects in materials and workmanship for a period of one year from the date the product was shipped by Schlumberger to the original purchaser. During such one-year period, provided that the original purchaser continues to own the product, Schlumberger will, at its sole option, repair any defects, replace the product or repay the purchase price.

This Warranty will be void if the purchaser fails to observe the procedures for installation, operation or service of the product as set forth in the Operating Manual and Specifications for the product or if the defect is caused by tampering, physical abuse or misuse of the product.

SCHLUMBERGER SPECIFICALLY DISCLAIMS ALL IMPLIED WARRANTIES INCLUDING THOSE OF MERCHANTABILITY OR OF FITNESS FOR A PARTICULAR PURPOSE. UNDER NO CIRCUMSTANCES WILL SCHLUMBERGER BE LIABLE FOR INCIDENTAL OR CONSEQUENTIAL DAMAGES OF ANY KIND WHATSOEVER.

In the event of a malfunction of the product, consult your Schlumberger Service Representative or Schlumberger Industries, Highway 127 North, Owenton, Kentucky 40358.

Schlumberger Industries

Gas Division, 970 Highway 127 North, Owenton, Kentucky 40359-9302  
 Phone: (502) 484-5747, FAX: (502) 484-5840, Customer Service: (502) 484-5741  
 Measurement Division, 7275 West Credit Avenue, Mississauga, Ontario L5N 5M9  
 Phone: (416) 858-4211, FAX: (416) 858-0428