

Parts List

**B-531 Twin Parallel Flow
Service Regulators &
Internal Monitor
Service Regulators**

Models IMN, IMR, IMRV, N & R

IMN, IMR, IMRV

ITEM NO.	PART NO.	QUANTITY			DESCRIPTION
		N	R	V	
1	753207	2	2	2	Upper Diaphragm Case Vent - 1" Pipe
2	760055	2	2	2	Seal Cap -
3	760217	2	2	2	Adjustment Screw - Aluminum
4	765771	2	2	2	Seal Cap Gasket
5	762933	2	2	2	Vent Screen
6	755791	2	2	2	Vent Screen Retainer Ring
7	754834	2	2	2	Vent Valve Disc Pin
8	762601	2	2	2	Vent Valve Spring - 1/2 oz.
9	765181	2	2	2	Vent Valve Disc
10	765685	2	2	2	Vent Valve Seat
21	752324	2	2	2	Lower Diaphragm Case - 4:1 Ratio
22	761241	2	2	2	Valve Linkage Lever - 4:1 Ratio
23	754021	2	2	2	Valve Stem - Aluminum
24	765027	2	2	2	Valve Seat - Buna "N" - 85D
25	761711	2	2	2	Deflector
27	751913	2	2	2	Valve Body Retainer Plate
28	755725	2	2	2	Retainer Plate Snap Ring
29	755141	4	4	4	Valve Linkage Pin Screw
30	754831	2	2	2	Valve Linkage Pin
36	766121	2	2	2	Diaphragm
37	761025	2	2	2	Upper Diaphragm Plate
38	756043	2	2	2	Lower Diaphragm Plate
39		2	2	2	Stop Stem - Specify
	754323	-	2	2	Stop Stem - Short Hex
	754325	2	-	-	Stop Stem - Long Hex
43	762101	-	2	2	Relief Spring 7" W.C. Above Set
44	754905	2	2	2	Stop Stem Guide Bushing
45	761663	2	2	2	Relief Cap
54	755801	2	-	-	Diaphragm Plate Washer
56		2	2	2	Adjustment Spring - Specify Color
	762111				Brown 4.5- 5.25" W.C.
	762117				D. Green 5.0- 6.75" W.C.
	762119				L. Green 5.5- 7.50" W.C.
	762123				Black 7.0-10.0" W.C.
	762127				Blue 8.0-11.0" W.C.
	762129				Silver 11.0-15.0" W.C.
	762131				Yellow 1.1- 1.5 PSIG
	762135				Red 1.3- 2.0 PSIG
	762137				White 1.75- 2.5 PSIG
	762139				Gray 4.0- 9.0" W.C. (Canada only)
	762025				Red/Gray 10- 25" W.C.
	762029				White (Short) .5- 1.2 PSIG

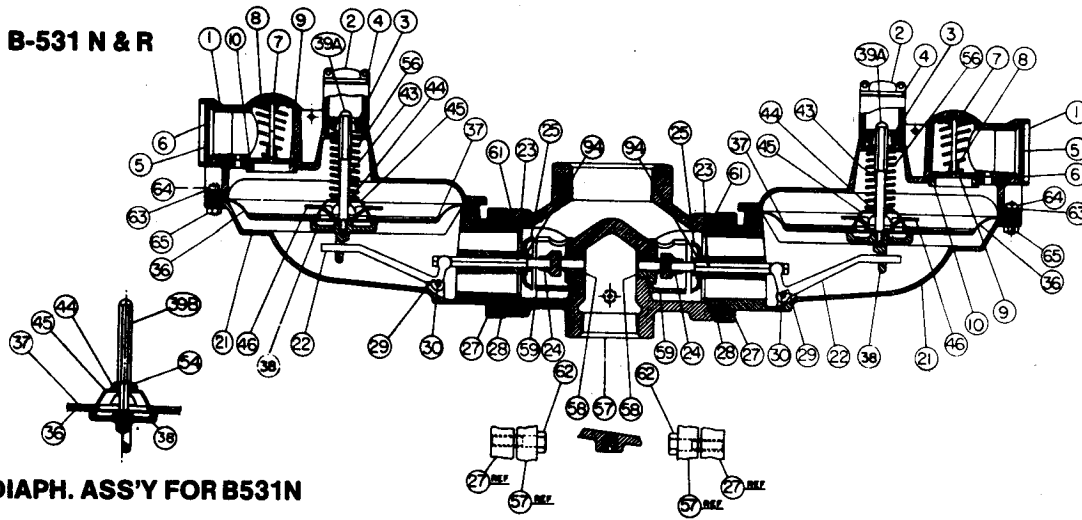
ITEM NO.	PART NO.	QUANTITY			DESCRIPTION
		N	R	V	
57		1	1	1	Valve Body - Double - Specify Size
	750904				1 x 1 1/2 NPT
	750907				1 x 1 1/2 NPT with 1/8 NPT Pipe Plug
	750915				1 x 2 NPT
	750918				1 x 2 NPT with 1/8 NPT Pipe Plug
	750933				1 1/4 x 1 1/2 NPT
	750936				1 1/4 x 1 1/2 NPT with 1/8 NPT Pipe Plug
	750944				1 1/4 x 2 NPT
	750947				1 1/4 x 2 NPT with 1/8 NPT Pipe Plug
58		1	1	1	Orifice Ass'y, Sliding - Specify For 60 PSI Inlet
	759061	x	x		1/4 Dia. Orifice Ass'y.
	759063			x	1/4 Dia. Orifice Ass'y. w/Vent Hole
	759065	x	x		5/16 Dia. Orifice Ass'y.
	759067			x	5/16 Dia. Orifice Ass'y. w/Vent Hole
					For 125 PSI Inlet
	759071	x	x		1/8 Dia. Orifice Ass'y.
	759073			x	1/8 Dia. Orifice Ass'y. w/Vent Hole
	759075	x	x		3/16 Dia. Orifice Ass'y.
	759077			x	3/16 Dia. Orifice Ass'y. w/Vent Hole
59	761751	2	2	2	Loading Ring
61	765751	2	2	2	Valve Body Gasket
62	755381	4	4	4	Retainer Plate Screw - Hex Head 5/16-18 x 1 1/4 Lg. - L.C. Steel
63	769280	2	2	2	Curved Regulator Plate As Silk Screen & Embossed
64	755251	16	16	16	Case Screw - Filister Head 12-24 x 11/16 Lg. - Steel
65	755661	16	16	16	Case Screw Nut - Square 12-24 Thd. - Steel
94	755785	2	2	2	Deflector Retaining Ring
					Special Tools
	799051				Spring Adjustment Wrench
	799015				Orifice Wrench

NOTE: For indoor installation of Regulator, use Seal Cap Gasket #765773 (Leak Proof Seal). Items 5 & 6 must be removed to pipe vent outdoors.

Torque Specifications

Margin Screws 27- 30 in. lbs.
 Retainer Plate Screws 85-115 in. lbs.
 Orifice Assemblies 250-300 in. lbs.

B-531 N & R

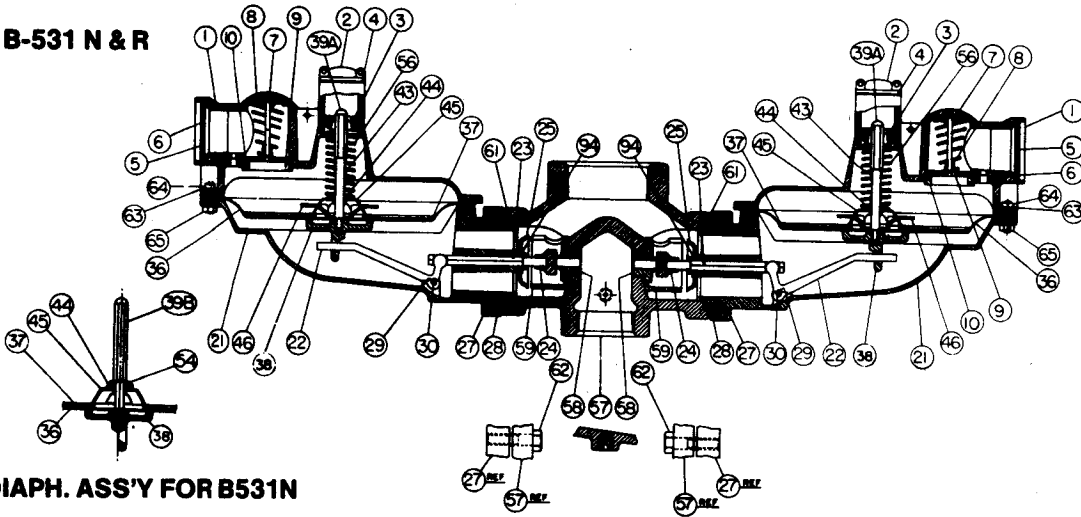


DIAPH. ASS'Y FOR B531N

N & R

ITEM NO.	PART NO.	QUANTITY		DESCRIPTION
		N	R	
1	753107	2	2	Upper Diaphragm Case-Specify Vent Pipe Size
	753130			Vent - 1/4 Pipe/HP
	753142			Vent - 3/8 Pipe/HP
	753157			Vent - 1/2 Pipe/HP
	753207			Vent - 3/4 Pipe/HP
				Vent - 1" Pipe/HP (Std.)
2	760055	2	2	Seal Cap (HP)
3	760217	2	2	Adjustment Screw - Alum.
4	765771	2	2	Seal Cap Gasket NOTE: For Indoor Installation of Regulator, use Seal Cap Gasket, P/N 765773 (Leak-Proof Seal)
5	762935	2	2	Vent Screen-Specify Vent Size
	762933			(For All Vents Except 1" Vent)-Wire Mesh (For 1" Vent Only)-Wire Mesh
6	755727	2	2	Vent Screen Ret. Ring-Specify Size
	755791			(For All Vents Except 1" Vent) (For 1" Vent Only)
7	754806	2	2	Vent Valve Disc Pin-Specify Size
	754834			(For All Vents Except 1" Vent)
				(For 1" Vent Only)
8	762601	2	2	Vent Valve Spring
9	765181	2	2	Vent Valve Disc
10	765685	2	2	Vent Valve Seat
21	752324	2	2	Lower Diaphragm Case-4/1 Ratio
22	761231	2	2	Valve Linkage Lever-4/1 Ratio
23	754021	2	2	Valve Stem - Alum.
24	765021	2	2	Valve Seat - Buna N 75P
25	761711	2	2	Deflector
27	751913	2	2	Valve Body Ret. Plate
28	755725	2	2	Retainer Plate Snap Ring
29	755141	4	4	Valve Linkage Pin Screw
30	754831	2	2	Valve Linkage Pin
36	766121	2	2	Diaphragm
37	761025	2	2	Upper Diaphragm Plate
38	756043	2	2	Lower Diaphragm Plate
39A	754301		2	Stop Stem - Short Hex
39B	754303	2		Stop Stem - Long Hex
43			2	Relief Spring - 7" W.C. Above Set (Std.)
44	754905	2	2	Stop Stem Guide Bushing
45	761663	2	2	Relief Cap
50	765775	-	2	Diaphragm Gasket (Optional)

B-531 N & R



DIAPH. ASS'Y FOR B531N

ITEM NO.	PART NO.	QUANTITY		DESCRIPTION
		N	R	
54	755801	2	-	Diaphragm Plate Washer
56	762111	2	2	Adjustment Spring - Specify
	762117			Brown 4.5 - 5.25 W.C.
	762119			D. Green 5.0 - 6.75 W.C.
	762123			L. Green 5.5 - 7.50 W.C.
	762127			Black 7.0 - 10.0 W.C.
	762129			Blue 8.0 - 11.0 W.C.
	762131			Silver 11.0 - 15.0 W.C.
	762135			Yellow 1.1 - 1.5 PSIG
	762137			Red 1.3 - 2.0 PSIG
	762025			White 1.75 - 2.5 PSIG
57	750904	1	1	Valve Body, Double - Specify Size
	750907			1 x 1½ NPT
	750915			1 x 1½ NPT with ½ NPT Pipe Plug
	750918			1 x 2 NPT
	750933			1 x 2 NPT with ½ NPT Pipe Plug
	750936			1¼ x 1½ NPT
	750944			1¼ x 1½ NPT with ½ NPT Pipe Plug
	750947			1¼ x 2 NPT
58	757213	2	2	1¼ x 2 NPT with ½ NPT Pipe Plug
	757219			Orifice, Alum. - Specify Size *
	757225			1/8 Dia.
	757231			3/16 Dia.
	757237			1/4 Dia.
	757451			5/16 Dia.
59	761751	2	2	3/8 Dia.
61	765751	2	2	1/2 Dia.
62	755381	4	4	Loading Ring
63	769280	2	2	Valve Body Gasket
64	755251	16	16	Retainer Plate Screw - Hex Head
65	755661	16	16	5/16 - 18 x 1¼ Lg. - Steel
94	755785	2	2	Curved Regulator Plate
	799051			Silk Screen & Embossed
	799015			Case Screw - Filister Head
				#12-24 x 11/16 Lg. - Steel
				Case Screw Nut - Square
				#12-24 Thd. - Steel
				Deflector Ret. Ring
				Special Tools
				Spring Adjust. Wrench
				Orifice Wrench

*For Brass Orifice, additional charge.

Torque Specifications

Margin Screws

Retainer Plate Screws

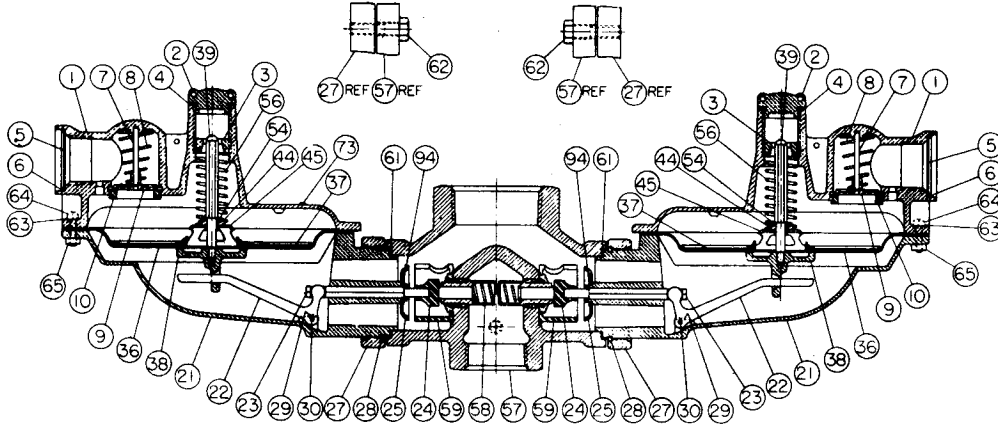
Orifice

27- 30 in. lbs.

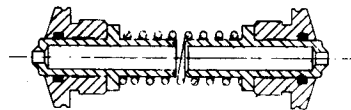
85-115 in. lbs.

450-500 in. lbs.

B-531 IMN

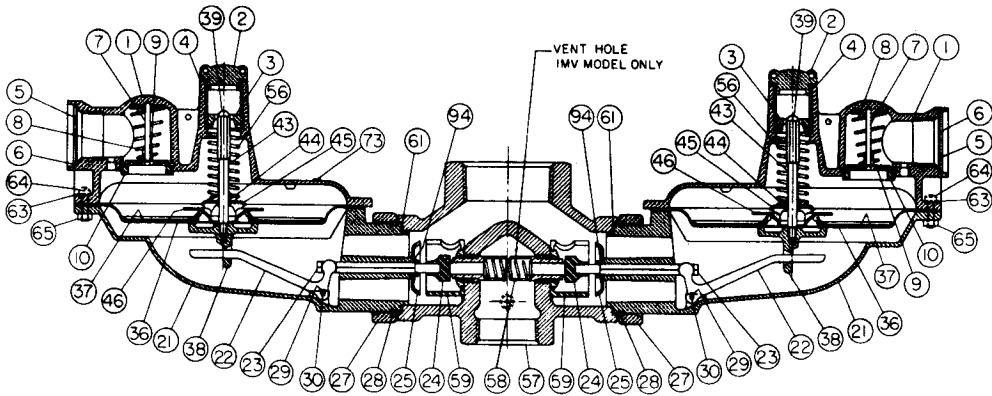


ORIFICE ASSEMBLIES
FOR 60 PSI INLET MAX.



FOR 125 PSI INLET MAX.

B-531 IMR
B-531 IMV



Note: I.M.R. — Without Vent Hole
I.M.V. — With Vent Hole

